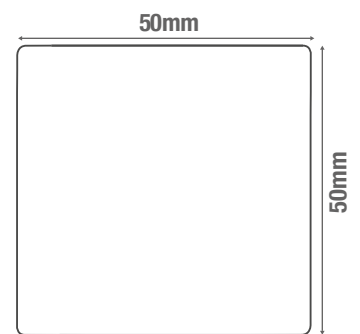
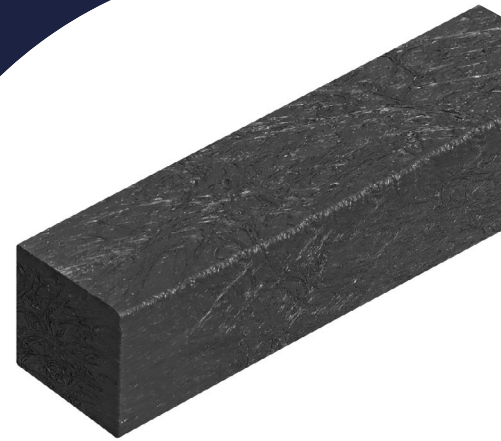


WALL CLADDING FRAME Recycled Plastic Batten 3m

Create a resilient and supportive substructure for your Wall Cladding project with Cladco Recycled Plastic Battens, available in black.

Manufactured from 100% recycled post-consumer plastics, Cladco Recycled Plastic Battens provide a sustainable and long-lasting solution for your Wall Cladding project.

Measuring three metres in length, Battens can be cut to length using normal woodworking tools. Highly weather-resistant and rot-proof, these Battens offer an effective framework for securing external wall cladding boards to your structure.



Made from 100% recycled plastic



Environmentally friendly



10 year guarantee



Superior strength



Low-absorption and rot proof material



Use with Composite and Fibre Cement Wall Cladding Boards

SPECIFICATIONS

Each Batten measures

3000mm x 50mm x 50mm

Each Batten weighs approximately

7kg

Joists/Stringers	Max Spans (deflection mm)											
	Distributed load: 1.5kN/m ² Point Load 1.0kN				Distributed load: 3kN/m ² Point Load 1.5kN				Distributed load: 5kN/m ² Point Load 2.0kN			
Load	350mm	400mm	500mm	600mm	350mm	400mm	500mm	600mm	350mm	400mm	500mm	600mm
50 x 50 Ultra		600				600				600		
50 x 75 Ultra												
50 x 100 Ultra		1250*	1250*	1250*		1200	1100	1000		1000	900	800
50 x 125 Ultra		1500*	1500*	1450*		1300	1200	1150		1100	1050	1000
50 x 150 Ultra		2000*	2000*	2000*		1800	1700	1600		1500	1400	1300
80 x 160		2000	1850*	1750*		2000	1850	1750		1700	1550	1450
80 x 230		2500*	2500*	2450		2500*	2500*	2450*		2400	2250	2100

*max span due to creep behaviour

PLEASE NOTE - Images are used for illustration purposes only, actual item may vary slightly from the image supplied.



01837 659901 info@cladco.co.uk
www.cladcodecking.co.uk

Beardown Road, Exeter Road Industrial Estate, Okehampton EX20 1UA

