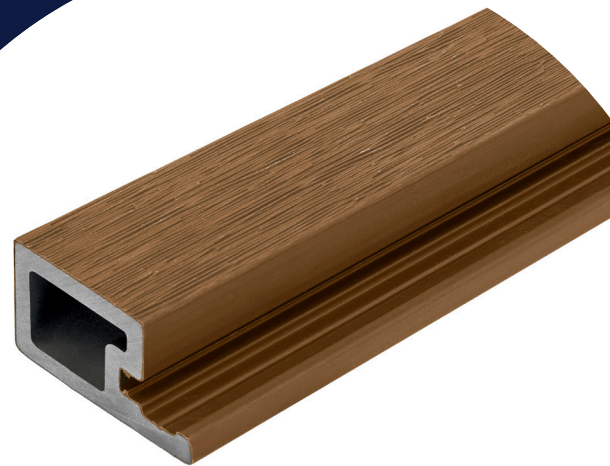


CAPPED COMPOSITE Single Start Profile Trim 2.5m

Single Start Profile Trims are the best way to start your Slatted Cladding project, providing a straight edge to begin the installation. Available in the same six colours as Cladco Slatted Panels, Start Profile Trims measure 2.5 metres with a hollow core design to reduce overall weight per Trim.

Featuring a textured grain effect on the front edge, Start Profile Trims can blend seamlessly with your Slatted Wall Cladding project.

Trims are low-maintenance and easy to clean. Each Trim is capped with a hard-wearing coating to protect it from the elements once installed on your external wall.



Easy To Clean
And Maintain



Textured Grain
Effect

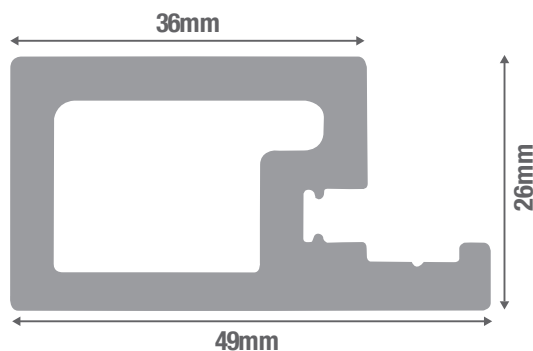


Available In 6
Colours

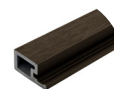


Rot And Insect
Resistant

SPECIFICATIONS	
Size	2.5m x 49mm x 26mm
Weight (approx.)	3kg



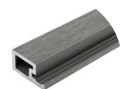
COLOURS



Walnut



Teak



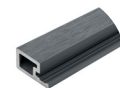
Stone Grey



Coffee



Charcoal



Silver Grey

PLEASE NOTE - Images are used for illustration purposes only, actual item may vary slightly from the image supplied.



01837 659901 info@cladco.co.uk
www.cladcodecking.co.uk

Beardown Road, Exeter Road Industrial Estate, Okehampton EX20 1UA

