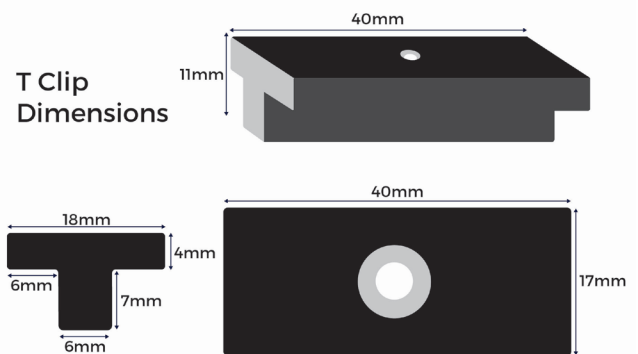


COMPOSITE DECKING T-CLIP FIXINGS AND SCREWS

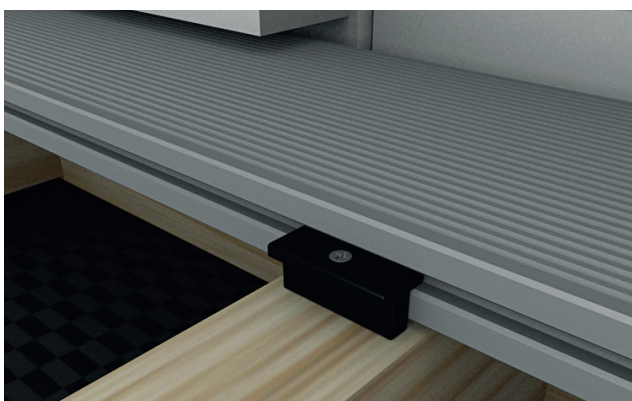
Cladco T-Clip Fixings and Screws are designed to secure into the grooves of Cladco Composite Decking Boards for a stable Decking installation.

These tough precision-made plastic T-Clips and Stainless Steel Wood Screws offer increased corrosion and wear resistance. T-Clips are countersunk to allow the Screw to sit flush. T-Clips are easy to install to a supporting substructure, into either Cladco Timber or Composite Joists using one Screw per T-Clip.

We recommended using 8 T-Clips per 2.4m Board and 11 T-Clips per 4m Board for best results.



SPECIFICATIONS	
Board Gap	7mm spacing between Boards
Pack Size	100
Recommended Quantity	11 T-Clips per 4m Board, 8 T-Clips per 2.4m Board
Material	Stainless steel (Screws), precision-made plastic (T-Clips)



Cladco T-Clips and Screws fixed into a Timber Decking Joist



Cladco T-Clips and Screws from above showing 7mm gap between Boards

PLEASE NOTE – Images are used for illustration purposes only, actual item may vary slightly from the image supplied.



01837 659901 info@cladco.co.uk
www.cladcodecking.co.uk

Beardown Road, Exeter Road Industrial Estate, Okehampton EX20 1UA

