

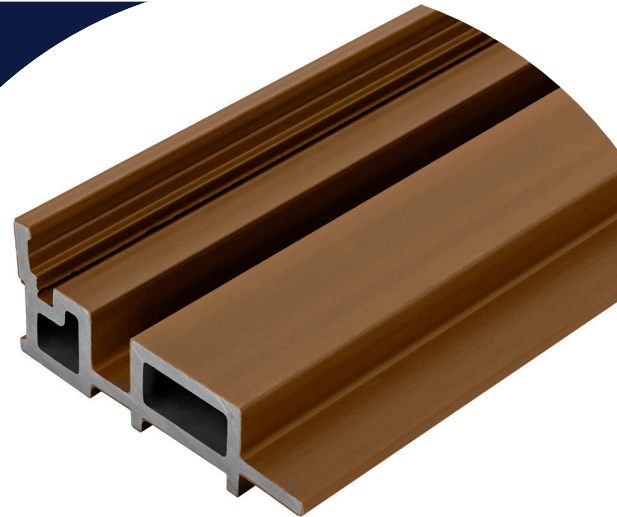
CAPPED COMPOSITE Internal Corner Trim 2.5m

Internal Corner Trims for Slatted Wall Cladding projects provide the best way to install around internally facing corners on the outside walls of your building.

Featuring a smooth, plain finish and available in all six colours - Walnut, Teak, Stone Grey, Coffee, Charcoal and Silver Grey - Cladco Internal Corner Trims are a capped composite product that is rot and insect-resistant.

Installation of these Trims is easy, using a tongue-and-groove design that allows each Slatted Panel to be fitted seamlessly around corners, hiding the screws at the same time.

For further information about this product, please contact our Sales team on 01837 659901.



Easy To Clean
And Maintain



Smooth Non-
Textured Finish



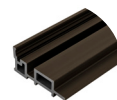
Available In 6
Colours



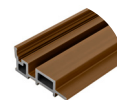
Rot And Insect
Resistant

SPECIFICATIONS	
Size	2.5m x 39mm x 95mm
Weight (approx.)	3kg

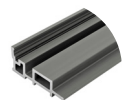
COLOURS



Walnut



Teak



Stone Grey



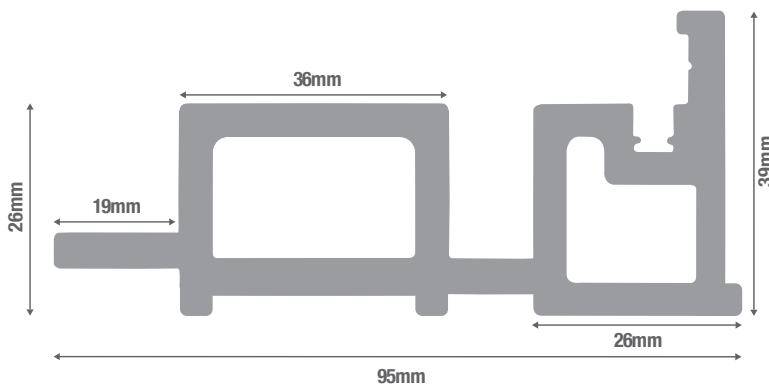
Coffee



Charcoal



Silver Grey



PLEASE NOTE - Images are used for illustration purposes only, actual item may vary slightly from the image supplied.



01837 659901 info@cladco.co.uk
www.cladcodecking.co.uk

Beardown Road, Exeter Road Industrial Estate, Okehampton EX20 1UA

