



How to make a Planter

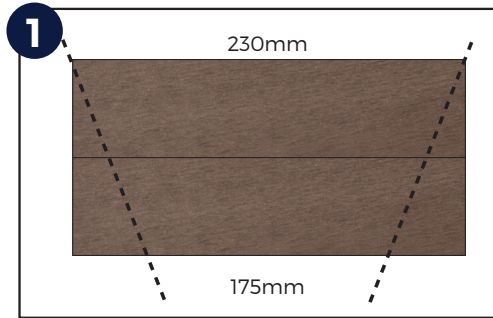
Create your own long life and sustainable planter with off cuts of Cladco composite decking.

WHAT YOU WILL NEED :

- 8 plank to 230mm in length
- 1 base plank to 175mm in length, 120mm width
- 4 L trims to 300mm in length (for outside)
- 2 L trims, 120mm in length for support inside base.
- Hand saw
- Screw driver
- 32 screws approximately 20mm in length.

Send us your creations

Snap a picture of your Cladco Composite Decking Bird House and send it to images@cladco.co.uk or use the [#cladcoenvironmental](https://twitter.com/cladcoenvironmental) for your chance to feature on Cladco Social media platforms.



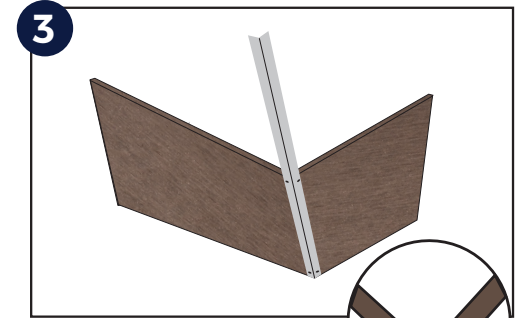
This step will make the side planks required for your planter, if you would like a larger or smaller planter simply adjust your measurements.

For the side planks cut the boards to 230mm lengths. Place two boards together and cut diagonally as shown. Repeat this step 4 times.



Take your base plank, one side plank and one 120mm L trims. Mark and screw together, 4 screws from the inside doing your base first.

TIP Please don't be concerned if you have small gaps when connecting your sides to your base. These are great for drainage.

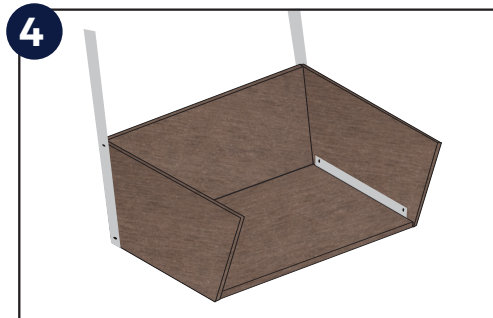


Using another side plank place it to the side of your base.

This will be fixed using one of your 300mm L trims. Mark and screw together 4 screws on either side starting from the base.

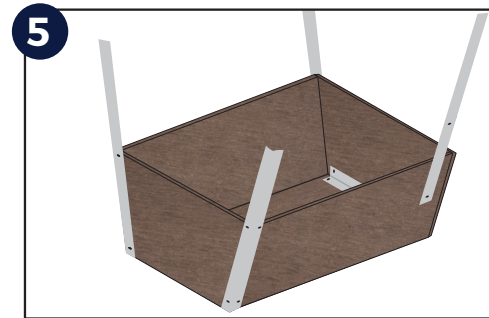
NOTE: See diagram to show the short end is on the outside of the long edge.

SIDE L TRIM: Screw loosely as these can be screwed tight at the very end.

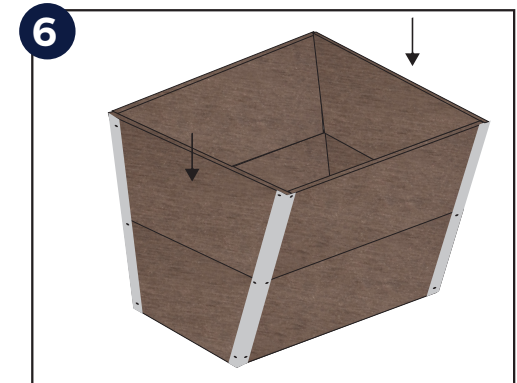


Take another side plank and connect this by fixing an 300mm L trim to the corner first using 4 screws on either side.

Secondly use a 120mm L trim to the inner side. Connecting the side plank to the base using 4 screws on either side.



Next fix your final side plank using the 2 remaining 300mm L trims for the outside corners. 4 screws on each side will hold the side planks together. You can use either matching colour corner trims or contrasting for a unique look.



Now you can repeat this and fix your final planks. Starting with your end. Loosely screw these in place first, before slotting and screwing the final two planks.

Once assembled screw all the screw nice and tight.

NOTE: Don't forget to drill holes in the bottom to allow for drainage.

www.cladcodecking.co.uk

T: 01837 659901 **E:** info@cladco.co.uk

Please note this is a guide and you may need to adjust the measurements for your requirements.

#cladcoenvironmental