



Pictured - Platinum ProFence Fencing Panels

CLADCO PROFENCE COMPOSITE FENCING

Installation Guide,
Aftercare and FAQs

CLADCO
PROFILES



Pictured - Quartz ProFence Panels

CONTENTS

Storage, Colour and Warranty	3
Tools and Equipment	4
Installing the Posts	5
Installing the Panels	6
Installing the Post Cap	7
Aftercare and Maintenance	8
FAQs	9



Pictured - Quartz ProFence Panels



STORAGE AND HANDLING

Cladco ProFence Composite Fencing Panels should be stored in a cool, shaded area on a flat, level surface that supports the full length of each panel. For best results, place the panels on a pallet to avoid direct contact with cold or damp ground.

Keep panels properly stored until they are ready to acclimate before installation.

When handling the panels, wear protective gloves and take care while lifting. We recommend that at least two capable individuals carry each panel to ensure safe and secure handling.



COLOUR AND GRAIN

Cladco ProFence Composite Fencing Panels are manufactured from capped composite materials and designed to replicate the natural variation found in traditional timber boards. Each panel features an authentic woodgrain-effect texture and a unique multi-tonal colour blend, ensuring a natural-looking finish—no two panels are exactly alike.

To maintain colour consistency throughout your fencing project, we strongly recommend purchasing all required ProFence panels at the same time. This also helps to reduce additional delivery costs.

Before installation, lay out all panels to achieve a balanced, natural tone across the full fence line. As with all outdoor materials, some natural weathering may occur over time when exposed to sunlight and the elements. Panels should be acclimatised to the same temperature and stored in a consistent environment before installation.

Please note: The appearance of composite panels may vary depending on weather conditions. Panels will often appear darker when wet and lighter when dry.



COLOUR VARIATION

To ensure a balanced and visually pleasing result, we recommend laying out all the panels before installation to evenly distribute the natural variations across your installation.



15 YEAR WARRANTY

Cladco Composite Fencing Panels are supplied with a 15-year warranty, subject to terms and conditions. To ensure your warranty remains valid, all fencing panels must be installed in accordance with the ProFence Installation Guide. Failure to follow the recommended guidelines may void the warranty.

For full warranty details, please visit:

www.cladcodecking.co.uk/cladcoprofiles-limited-conditions-sale

TOOLS



Protective Equipment

When handling or carrying fencing panels it is advised to wear long sleeves and gloves. When cutting the panels, we suggest you wear a protective dust mask, ear defenders and safety glasses.



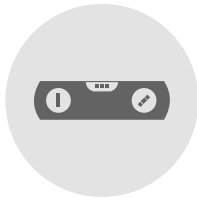
Tool Set

Standard everyday carpentry tools will be needed to complete the installation, including: tape measure, pencil, stanley knife and string.



Power Drill Or Driver

Standard power drills can be used when installing composite fencing.



Spirit Level And String

A spirit level is essential when installing your posts to ensure a level support system.

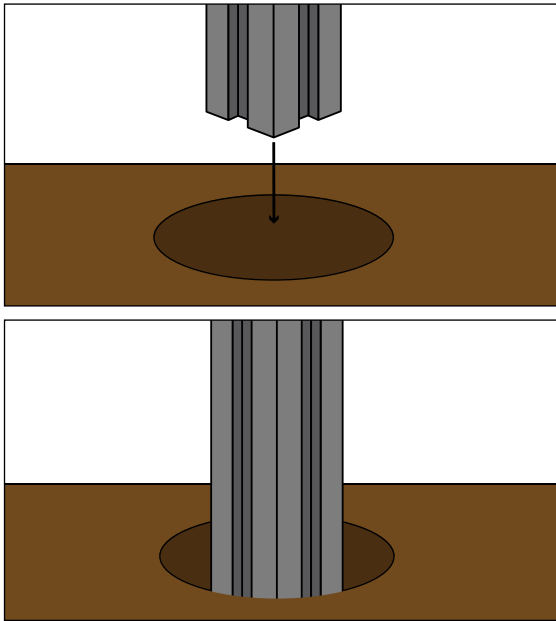


Shovel

A shovel will be required to dig the post holes, along with a bucket, water and postcrete to form the concrete base for each post.

INSTALLING THE POSTS

DIGGING THE POST INTO THE GROUND:

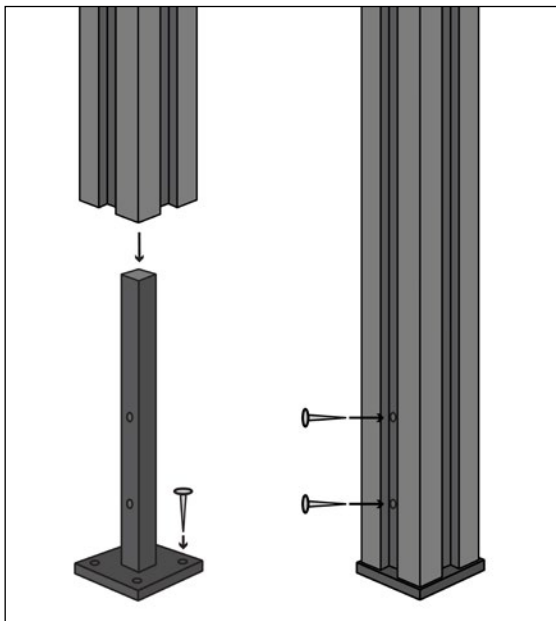


1 Prepare the installation area by clearing away any stones, debris, or hazardous materials. When using the 2.5m Cladco ProFence Aluminium Post, the excess length can be dug into the ground and secured with concrete for a stable foundation.

2 Ensure each fence post is perfectly level before securing with postcrete. For stability, at least 25% of the total post height must be concreted into the ground.

Important Note: When securing the post in the ground with concrete, ensure the sliding channels you wish to install the boards into are removed beforehand. If left in place, the channels will be fixed permanently and you will not be able to install the fencing panels afterward.

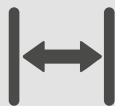
USING THE POST FOOT:



1 As with ground installation, prepare your area beforehand. The Cladco ProFence Post Foot is specifically designed for optimal compatibility with our 1.9m aluminium posts from the ProFence range.

2 The aluminium post slots directly onto the post foot. Remove one of the sliding channels to attach the post and foot together, then secure the assembly to the ground.

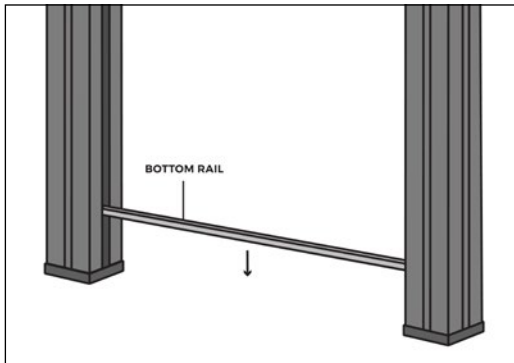
Important Note: Appropriate fixings for securing the post foot to the floor are not included and must be sourced separately.



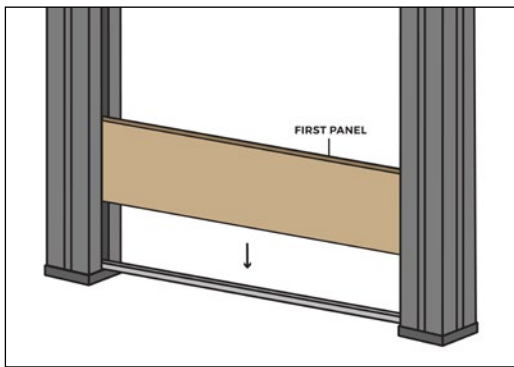
POST SPACING

To ensure proper support and structural integrity, ProFence posts should be installed no more than 1.88 metres apart (centre to centre) or 1.8 metres apart (edge to edge).

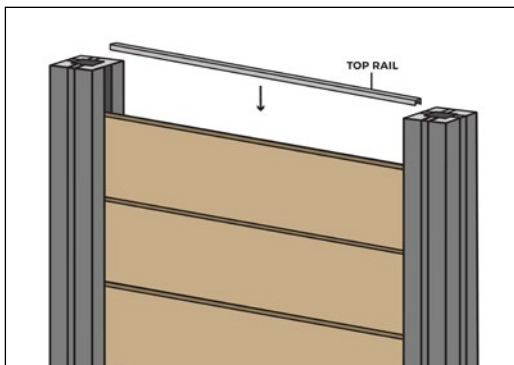
INSTALLING THE PANELS



1 Before installing the panels, begin by placing the 1.84m bottom fencing rail. Position it between the two aluminium posts and slide it down the post channels until it reaches the bottom. Ensure the rail is securely slotted into place and level before proceeding.



2 The first fencing panel can then be slotted down between the two aluminium posts, resting securely on top of the bottom rail. Continue this process by sliding each subsequent panel into place until all fencing panels are installed.



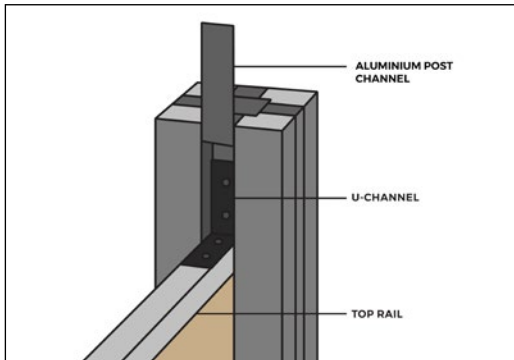
3 Once all fencing panels are in place and the desired fence height is achieved, fit the top rail to cover the exposed top edge of the final panel, completing the structure.



EXTREME TEMPERATURES

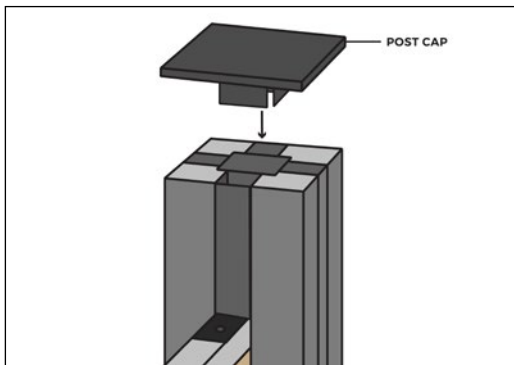
Extreme temperature changes could cause the panels to expand or contract. Ensure panels have had sufficient time to acclimatise to the temperature before installing. Do not install in extreme temperatures.

INSTALLING THE POST CAP



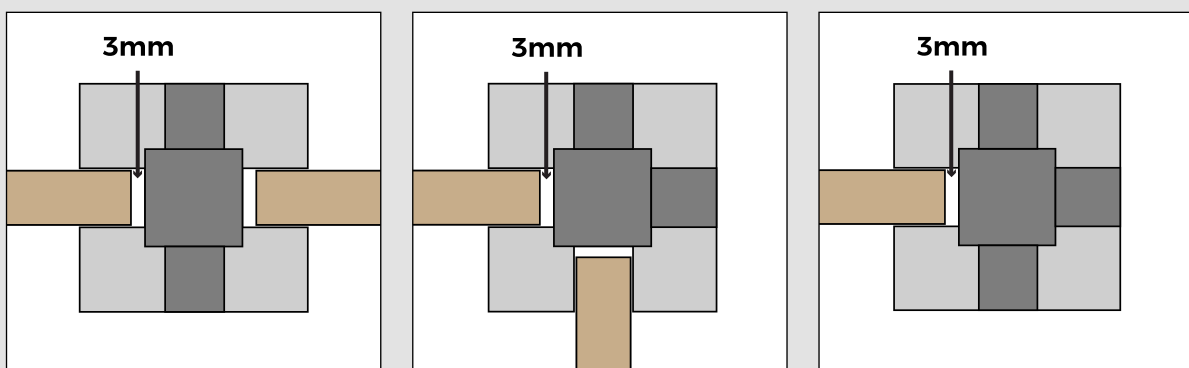
4 Secure the provided U-channel to the top rail and aluminium post to ensure the fence is properly anchored and stable.

Top Tip: To achieve a clean, professional finish, fill the gap where the U-channel meets the post using a leftover piece of the aluminium post channel. Simply cut it to size and slot it into place.



5 The post caps provide a simple yet effective finishing touch for your ProFence project. They click into the top of the aluminium post to complete the structure—just push the cap down to slot it securely into place with ease.

SLIDING CHANNELS & EXPANSION GAP



Each aluminium post includes four adjustable sliding channels, providing the flexibility to customise your fence layout:

- For midway posts, remove the two channels that face each other.
- For corner posts, remove the two channels that meet at a right angle.
- For end posts, remove just one channel to achieve a clean, seamless finish.

Important Note: Always allow a 3mm expansion gap between the panel and the post to accommodate natural expansion of the panels over time.

AFTERCARE AND MAINTENANCE

AFTERCARE

Cladco ProFence comes with a 15-year warranty and is designed to be resistant to stains and fading. For general upkeep, simply brush away everyday debris such as leaves, plants, berries, and animal droppings. Warm soapy water can also be used to assist with cleaning.

For more persistent dirt, pressure washing may be necessary. When using a pressure washer, maintain a minimum distance of 30cm between the nozzle and the fencing to prevent potential damage.



1 Use a brush to remove any loose debris, such as leaves, from the fencing surface to ensure it is clear and ready for cleaning.



2 Prepare a bucket of hot, soapy water. For added comfort and protection, consider wearing rubber gloves during cleaning.



3 Apply the hot, soapy water to your fencing panels. Once applied, use a brush to scrub the surface—this will help lift and remove any surface debris.



4 Allow the hot, soapy water to sit on the surface for several minutes before rinsing. Ensure all soap residue and debris are thoroughly removed from the panels before leaving them to dry.

FIRE AND HEAT SOURCES

Precautions should always be taken when using fire pits, BBQs, or other heat sources near Cladco ProFence Composite Fencing. Embers or direct contact with flames may damage the panels.

Cladco cannot accept responsibility for any damage caused by fire or heat exposure. Using a heat source near the fencing is done entirely at the customer's own risk.

MOULD AND MILDEW

Mould and mildew are common in outdoor environments, and their growth can be influenced by climate, temperature, and moisture levels. To help minimise mould development on your fencing, regular cleaning is recommended.

If mould is present, clean with hot, soapy water and a soft brush. For more stubborn mould, dirt, or grime, pressure washing may be necessary to restore the appearance of the fencing. Always maintain a safe distance of at least 30cm between the pressure washer nozzle and the fence surface.

DISCOLOURATION

Discolouration may occur if everyday household chemicals, such as suntan lotion or insect repellent, come into contact with ProFence panels. Take care when using these products near your fencing to avoid surface staining.

Please note: During the first 6-12 months after installation, the colour of your ProFence panels will naturally stabilise as they adjust to outdoor conditions.

FREQUENTLY ASKED QUESTIONS

Where can I install my fencing?

Cladco ProFence Fencing is suitable for a wide range of outdoor spaces. It creates a low-maintenance boundary and can be installed into grass or concrete using postcrete to secure the posts in place.

Do ProFence panels fade?

Like all composite materials, ProFence panels will undergo a natural stabilisation process. A slight colour fade may occur within the first six months as the panels settle into their final shade.

Are darker colours better than lighter ones?

Lighter colours tend to show dirt and marks more easily. Darker colours weather more subtly and will also stabilise to their final tone within approximately six months of installation.

Can I use a pressure washer?

Yes, you can use a pressure washer, but we recommend the following:

Maximum 2,000 psi

Use a fan tip with a 40-60° spray angle

Maintain a 250-300mm distance from the surface

Always test on a small, inconspicuous area first
Avoid prolonged direct contact as this could damage the panel surface.

Do I need planning permission to put my fence up?

You do not need planning permission to replace, maintain, or repair an existing fence, as long as you don't increase its original height. For entirely new fences, consult your local council for current regulations.

Can I use my own posts?

ProFence panels should only be used with Cladco ProFence Aluminium Posts to ensure a secure, durable, and long-lasting installation. This also ensures the full benefit of the low-maintenance, rot-resistant system.

How much do ProFence products weigh?

One 1.84m ProFence Fencing Panel weighs approximately 5.51kg

One ProFence Aluminium Post weighs up to 5.6kg

What is composite fencing made of?

Cladco composite fencing is made from a blend of 60% FSC®-certified hardwood fibres and 40% recycled plastic. This creates an environmentally friendly, durable, and rot-resistant fencing solution.

Is composite fencing fire rated?

As ProFence panels contain natural wood fibres, they are not fire rated.

Why is mould appearing on my fencing?

Mould or mildew can develop due to airborne spores, especially in damp or shaded areas. Ensure adequate airflow and spacing during installation, and perform regular cleaning to maintain your fence's appearance.

FREQUENTLY ASKED QUESTIONS

Is ProFence fencing maintenance-free?

While ProFence fencing requires significantly less maintenance than traditional timber, it is not completely maintenance-free. It's important to regularly clear debris—especially when installed under trees, where leaves, petals, and sap may fall. If fencing is located near gutters or downpipes, water run-off can also cause staining. Frequent cleaning helps prevent these issues and keeps your fencing looking its best.

Why are watermarks appearing on my fencing?

Watermarks can occur during the natural weathering process of composite fencing. These marks are often caused by tannins released from the timber fibres within the panels. This is temporary—the marks will fade naturally over time as the panels stabilise.

Do ProFence panels fade?

Yes, as with all composite products, ProFence panels undergo a colour stabilisation period, usually within the first six months of installation. After this period, the panels settle into their final shade.

Are ProFence panels susceptible to scratching?

Composite panels can be scratched, especially when in contact with abrasive or sharp objects, such as metal tools. To minimise the risk of damage, avoid dragging or scraping items against the surface during installation and use.

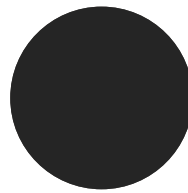
Do ProFence panels require an expansion gap?

Yes. ProFence panels are designed to expand and contract with temperature changes. We recommend leaving a 3mm expansion gap between the panels and posts during installation to allow for this natural movement.

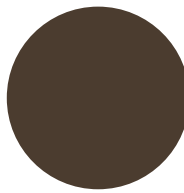
What colours are available?

Unlike traditional timber, ProFence fencing is available in a range of colours to suit your design preferences or blend with your outdoor environment.

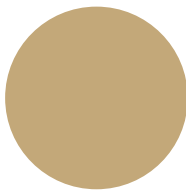
ProFence Aluminium Posts and Post Caps are available in a single Anthracite colour for a clean and cohesive finish.



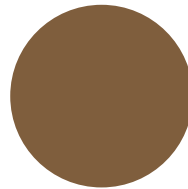
Onyx



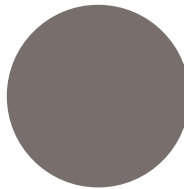
Burnt Oak



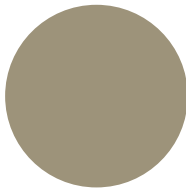
Sandstone



Rosewood



Platinum



Pewter



Quartz

Head Office

Beardown Road
Exeter Road Industrial Estate
Okehampton
Devon
EX20 1UA

01837 659901

info@cladco.co.uk

www.cladco.co.uk

CLADCO
PROFILES